

L.V. Current Transformers

ENS.3PH Series

Three Phases Current Transformers

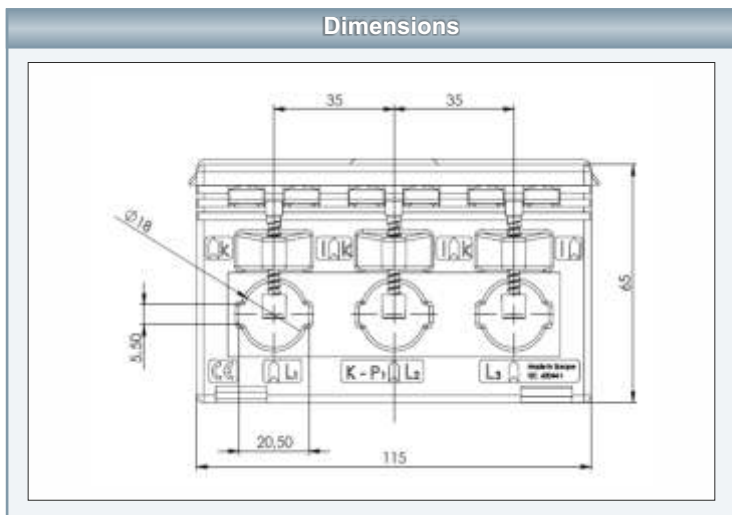
Product Code	Primary Current (A)	Nominal Power (VA)	Class	Internal Size-Bar Dimension (mm)
ENS.3PH 20				
ENS.3PH 20 3X100/5A	3x100	1	1	20
ENS.3PH 20 3X150/5A	3x150	1,25	1	20
ENS.3PH 20 3X200/5A	3x200	1,5	1	20
ENS.3PH 20 3X250/5A	3x250	2,5	1	20
ENS.3PH 30				
ENS.3PH 30 3X250/5A	3x250	2,5	1	30
ENS.3PH 30 3X300/5A	3x300	3,75	1	30
ENS.3PH 30 3X400/5A	3x400	5	1	30
ENS.3PH 30 3X500/5A	3x500	5	1	30
ENS.3PH 30 3X600/5A	3x600	5	1	30

NEW



ENS.3PH 20

Dimensions



NEW



ENS.3PH 30

Dimensions

